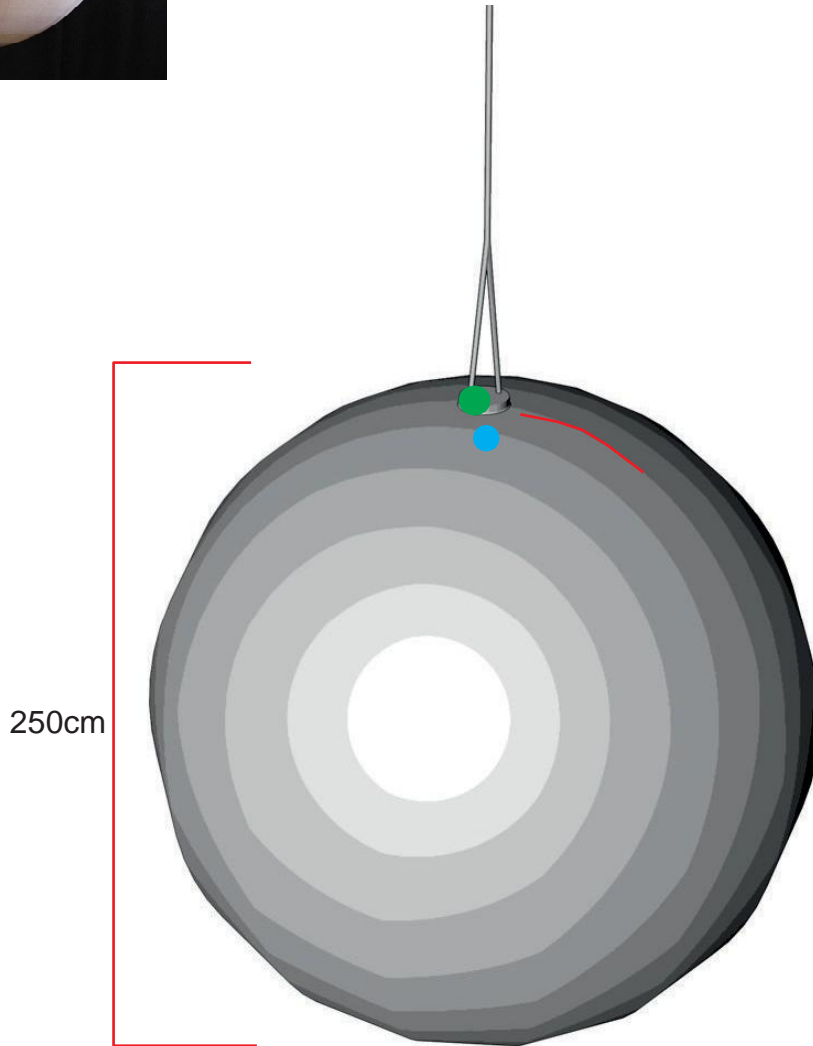




Solar System Saturn



● Zipper ● Attachment points ● Blower position

Technical information	
Total transport weight	14 kg
Transport size inflatable	50 * 50 * 50 cm / 8 kg
Transport size blower	35 cm ø * 25 cm / 6 kg
Blower	Airw 250 Velcro Light – 230V / 200W
Additional information	Rigging possible with single eyelet or double truss couplers Light possible 200W, not included in the rental price Does not include the outer rings of the planet